

立興(楊氏)有限公司

LIP HING (YEUNG'S) COMPANY LIMITED

HHTO系列不鏽鋼窗較

"HHTO" SERIES STAINLESS STEEL FRICTION HINGE

特徵

物料: 304不鏽鋼

- ❖ 50,000次嚴格開關測驗後仍能操作正常, 確保恒久耐用
- ❖ 質量符合英國BS6375-2:2009
- ❖ 必須跟不鏽鋼墊片一起使用為達致理想效果

Features

Material: Grade 304 stainless steel

- ❖ Durability proven by opening and closing test 50,000 times
- ❖ Satisfied the requirements of British Standard BS6375-2:2009
- ❖ To maximize the functionality of the hinges, must install with stainless steel plate



建議鋁窗規格

SUGGESTED WINDOW SPECIFICATION

(窗扇高及寬只作參考用, 以窗重量為準)

(Window sash size is for reference only while window loading is the main determinant)

型號 Model No.	窗扇最高 Max. Sash Height (mm)	窗扇最寬 Max. Sash Width (mm)	窗扇最重 Max. Loading (KG)	窗開角度 Opening (+0°/-5°)
HHTO16-L HHTO16-R	1800	720	83	90°

立興(楊氏)有限公司

香港葵涌 葵昌路26-38號
豪華工業大廈8字樓D座

立興楊氏實業(深圳)有限公司

中國廣東深圳市 光明新區
玉塘街道 田寮社區 田益一街10號

電話 (852) 2412 2288 / 2423 8620 / 2412 2490 | 傳真 (852) 2489 2766

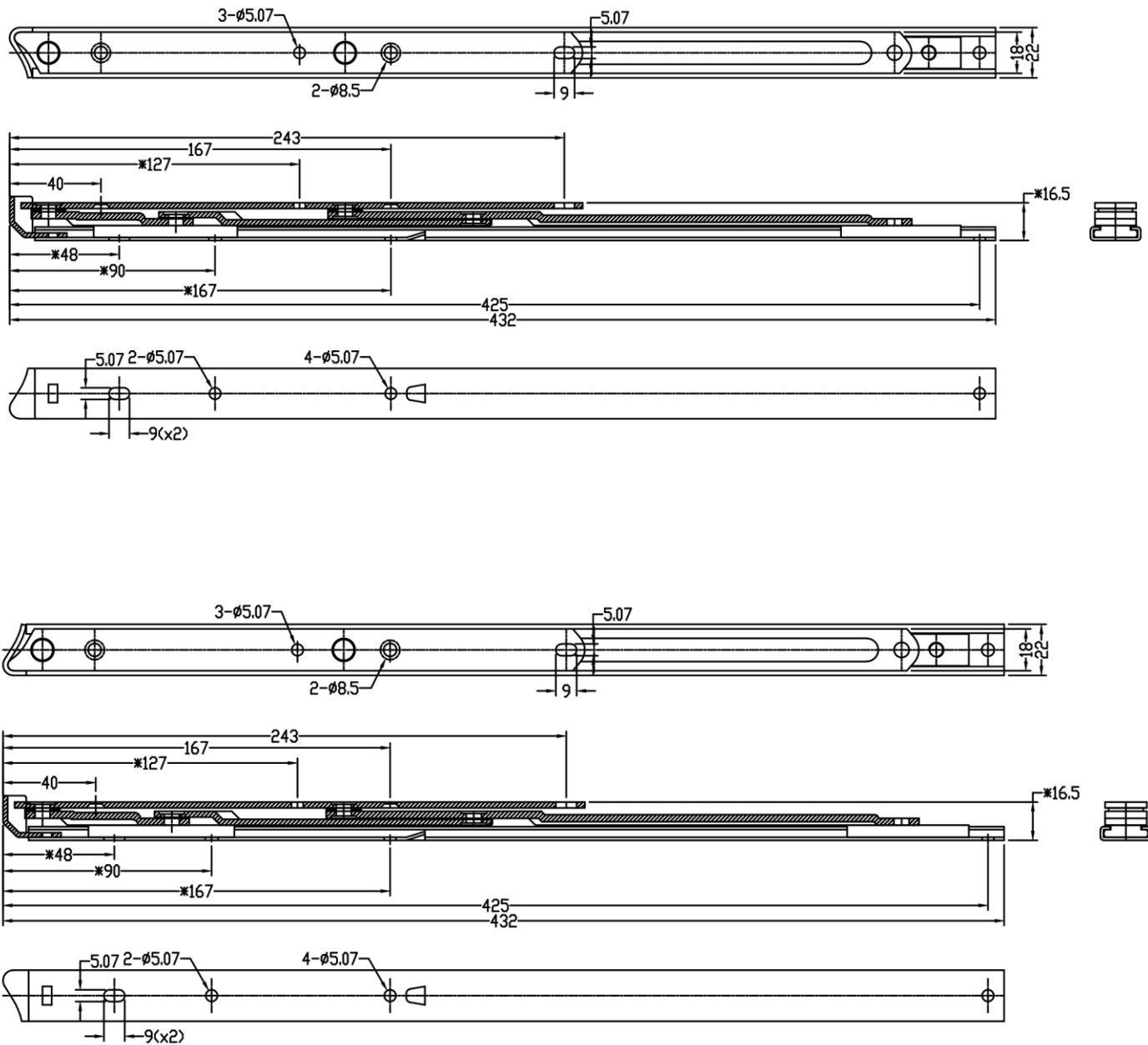
電郵 main@liphingyeungs.com.hk | 網址 sz-liphingyeungs.com

立興(楊氏)有限公司

LIP HING (YEUNG'S) COMPANY LIMITED

HHTO系列不鏽鋼窗較

"HHTO" SERIES STAINLESS STEEL FRICTION HINGE



立興(楊氏)有限公司

LIP HING (YEUNG'S) COMPANY LIMITED

HHTO系列不鏽鋼窗較

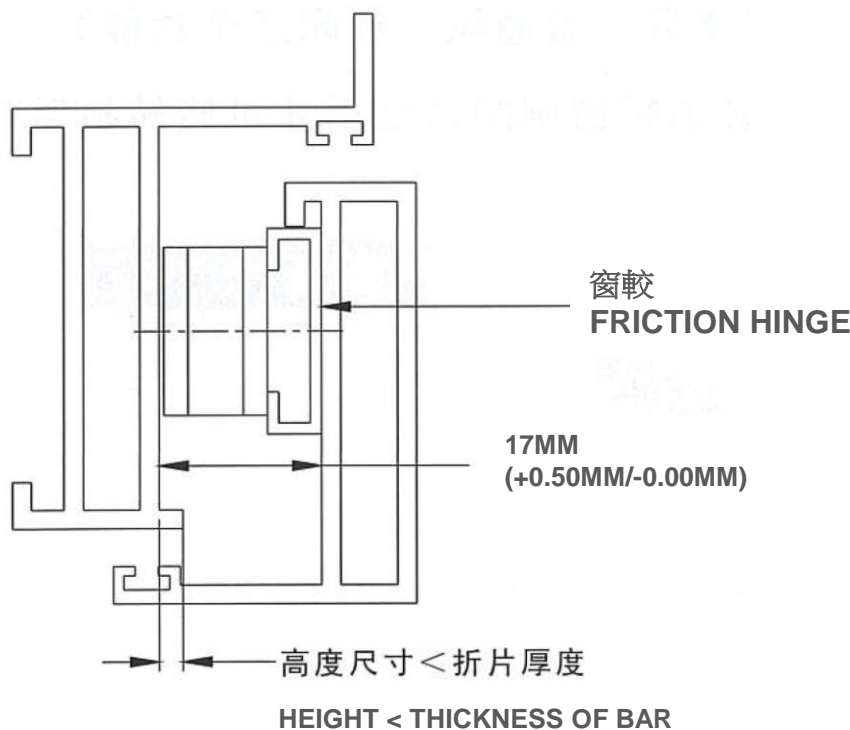
"HHTO" SERIES STAINLESS STEEL FRICTION HINGE

不鏽鋼窗較安裝要點

TIPS FOR INSTALLING STAINLESS STEEL FRICTION HINGE

窗較所需空間要求

SPACE REQUIREMENT FOR INSTALLING FRICTION HINGE



立興(楊氏)有限公司

LIP HING (YEUNG'S) COMPANY LIMITED

HHTO系列不鏽鋼窗較

"HHTO" SERIES STAINLESS STEEL FRICTION HINGE

不鏽鋼窗較安裝要點

TIPS FOR INSTALLING STAINLESS STEEL FRICTION HINGE

圖中A螺絲為本司提供特製螺絲

All "A" marked screws are specially made by our Company for HHTO hinges.

圖中C螺絲必須是直徑8mm頭的平頭螺絲

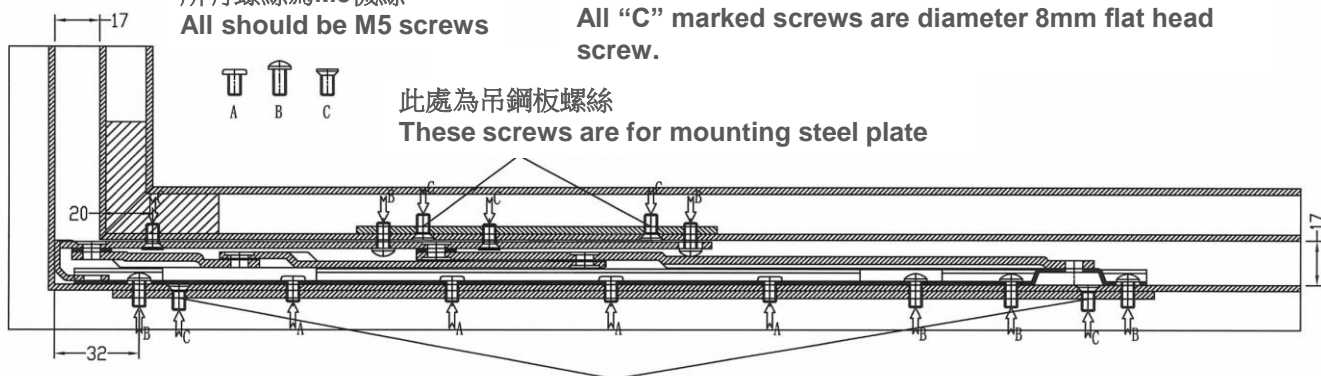
All "C" marked screws are diameter 8mm flat head screw.

所有螺絲為M5機絲

All should be M5 screws

此處為吊鋼板螺絲

These screws are for mounting steel plate

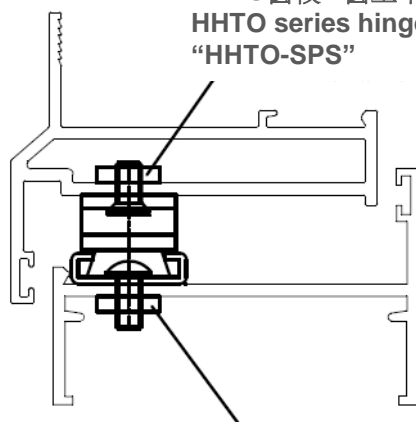


此處為吊鋼板螺絲

These screws are for mounting steel plate

HHTO窗較 - 窗玉不鏽鋼墊片

HHTO series hinge - window sash stainless steel plate
"HHTO-SPS"



HHTO窗較 - 窗框不鏽鋼墊片

HHTO series hinge - window frame stainless steel plate
"HHTO-SPF"