

# 立興(楊氏)有限公司

## LIP HING (YEUNG'S) COMPANY LIMITED

### HYLS系列平開窗不鏽鋼窗較

### "HYLS" SERIES STAINLESS STEEL FRICTION HINGE FOR SIDE HUNG WINDOW

#### 特徵

物料: 304不鏽鋼

- ❖ 50,000次嚴格開關測驗後仍能操作正常, 確保恒久耐用
- ❖ 質量符合英國BS6375-2:2009
- ❖ 必須跟不鏽鋼墊片一起使用為達致理想效果

#### Features

Material: Grade 304 stainless steel

- ❖ Durability proven by opening and closing test 50,000 times
- ❖ Satisfied the requirements of British Standard BS6375-2:2009.
- ❖ To maximize the functionality of the hinges, must install with stainless steel plate



#### 建議鋁窗規格

#### SUGGESTED WINDOW SPECIFICATION

(窗扇高及寬只作參考用, 以窗重量為準)

(Window sash size is for reference only while window loading is the main determinant)

型號 Model No.	窗扇最高 Max. Sash Height (mm)	窗扇最寬 Max. Sash Width (mm)	窗最重 Max. Loading (KG)	窗開角度 Opening (+0°/-5°)
HYLS12	1700	522	60	90°
HYLS14	1700	582	68	90°
HYLS16	1700	682	83	90°
HYLS18	1700	695	82	90°

立興(楊氏)有限公司

香港葵涌 葵昌路26-38號  
豪華工業大廈8字樓D座

立興楊氏實業(深圳)有限公司

中國廣東深圳市 光明新區  
玉塘街道 田寮社區 田益一街10號

電話 (852) 2412 2288 / 2423 8620 / 2412 2490 | 傳真 (852) 2489 2766

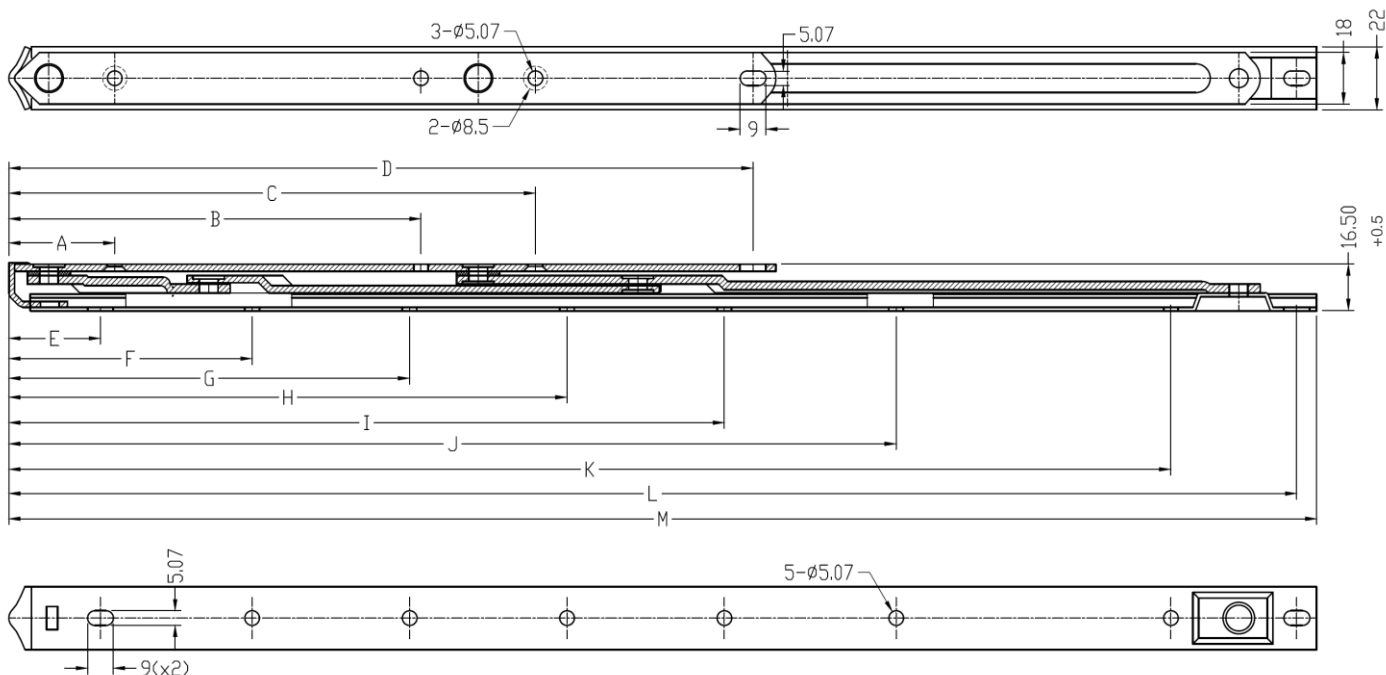
電郵 main@liphingyeungs.com.hk | 網址 sz-liphingyeungs.com

# 立興(楊氏)有限公司

## LIP HING (YEUNG'S) COMPANY LIMITED

### HYLS系列平開窗不鏽鋼窗較

### "HYLS" SERIES STAINLESS STEEL FRICTION HINGE FOR SIDE HUNG WINDOW



\*\* 所有螺絲孔需要全部安裝合適螺絲  
 \*\* All screw holes must be mounted with proper screws

### 尺寸 MEASUREMENTS (mm)

型號 Model No.	A	B	C	D	E	F	G	H	I	J	K	L	M
HYLS12	37	84	124	200	32	100	170	-	-	242	263	307	316
HYLS14	37	100	140	216	32	90	150	210	-	265	300	344	351
HYLS16	37	124	164	240	32	90	150	210	270	325	361	405	412
HYLS18	37	144	184	260	32	85	140	195	250	310	406	450	457

有測驗報告可提供  
 Test report available upon request

# 立興(楊氏)有限公司

## LIP HING (YEUNG'S) COMPANY LIMITED

### HYLS系列平開窗不鏽鋼窗較

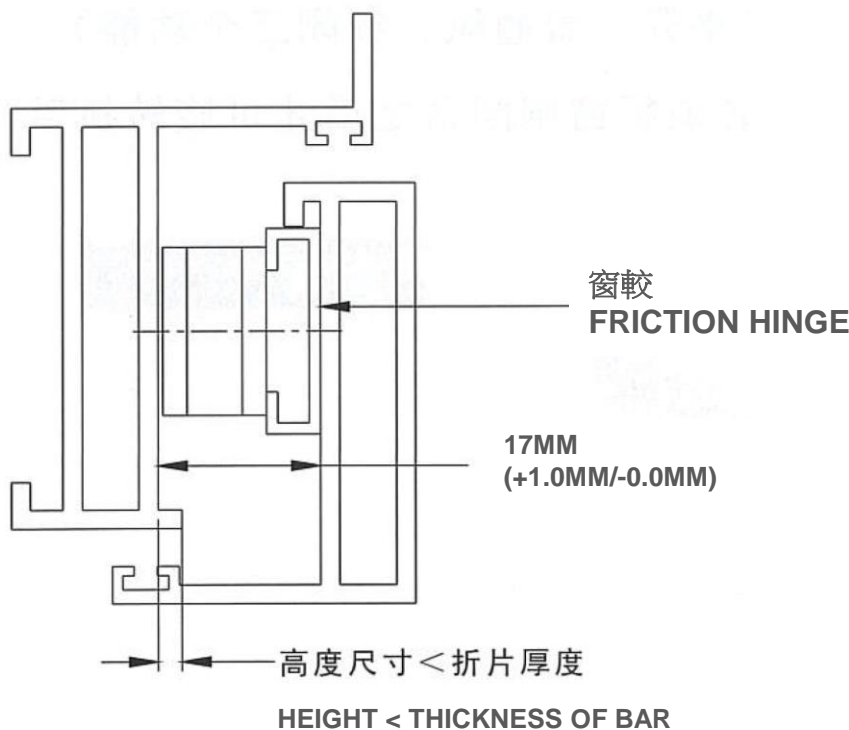
### "HYLS" SERIES STAINLESS STEEL FRICTION HINGE FOR SIDE HUNG WINDOW

#### 不鏽鋼窗較安裝要點

#### TIPS FOR INSTALLING STAINLESS STEEL FRICTION HINGE

##### 窗較所需空間要求

##### SPACE REQUIREMENT FOR INSTALLING FRICTION HINGE



# 立興(楊氏)有限公司

## LIP HING (YEUNG'S) COMPANY LIMITED

### HYLS系列平開窗不鏽鋼窗較

"HYLS" SERIES STAINLESS STEEL FRICTION HINGE FOR SIDE HUNG WINDOW

### 不鏽鋼窗較安裝要點

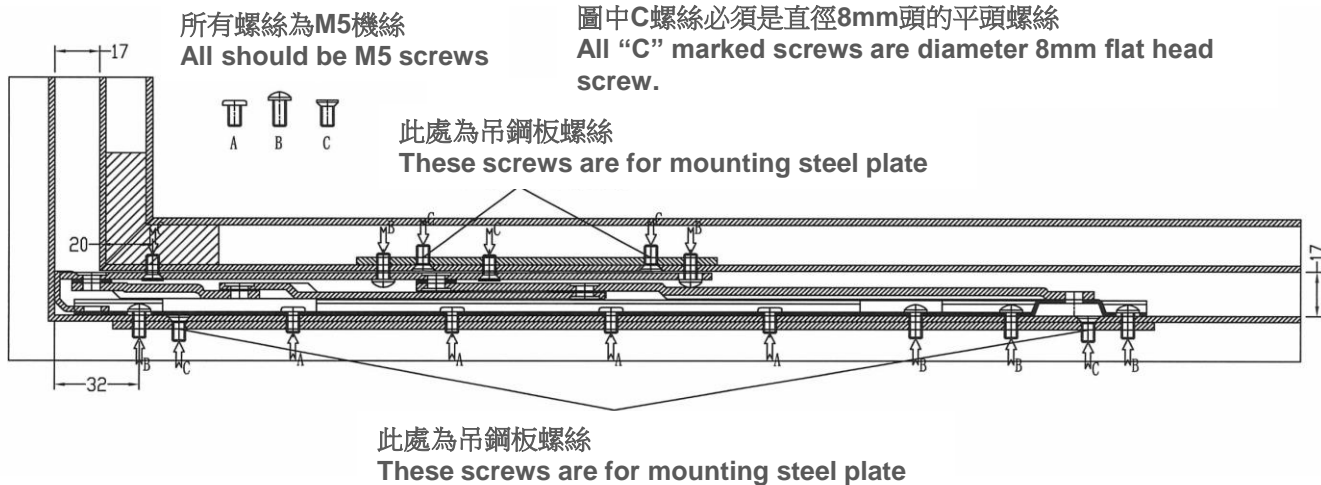
### TIPS FOR INSTALLING STAINLESS STEEL FRICTION HINGE

圖中A螺絲為本司提供特製螺絲

All "A" marked screws are specially made by our Company for HYLS hinges.

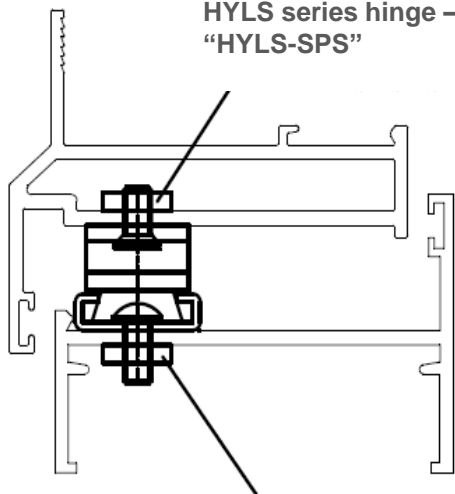
圖中C螺絲必須是直徑8mm頭的平頭螺絲

All "C" marked screws are diameter 8mm flat head screw.



HYLS窗較 - 窗玉不鏽鋼墊片

HYLS series hinge - window sash stainless steel plate  
"HYLS-SPS"



HYLS窗較 - 窗框不鏽鋼墊片

HYLS series hinge - window frame stainless steel plate  
"HYLS-SPF"

型號 Model No.	每1支數量(粒) Quantity per hinge (piece)		
	螺絲 "A" Screw "A"	螺絲 "B" Screw "B"	螺絲 "C" Screw "C"
HYLS12	2	5	7
HYLS14	3	6	6
HYLS16	4	6	6
HYLS18	4	6	6